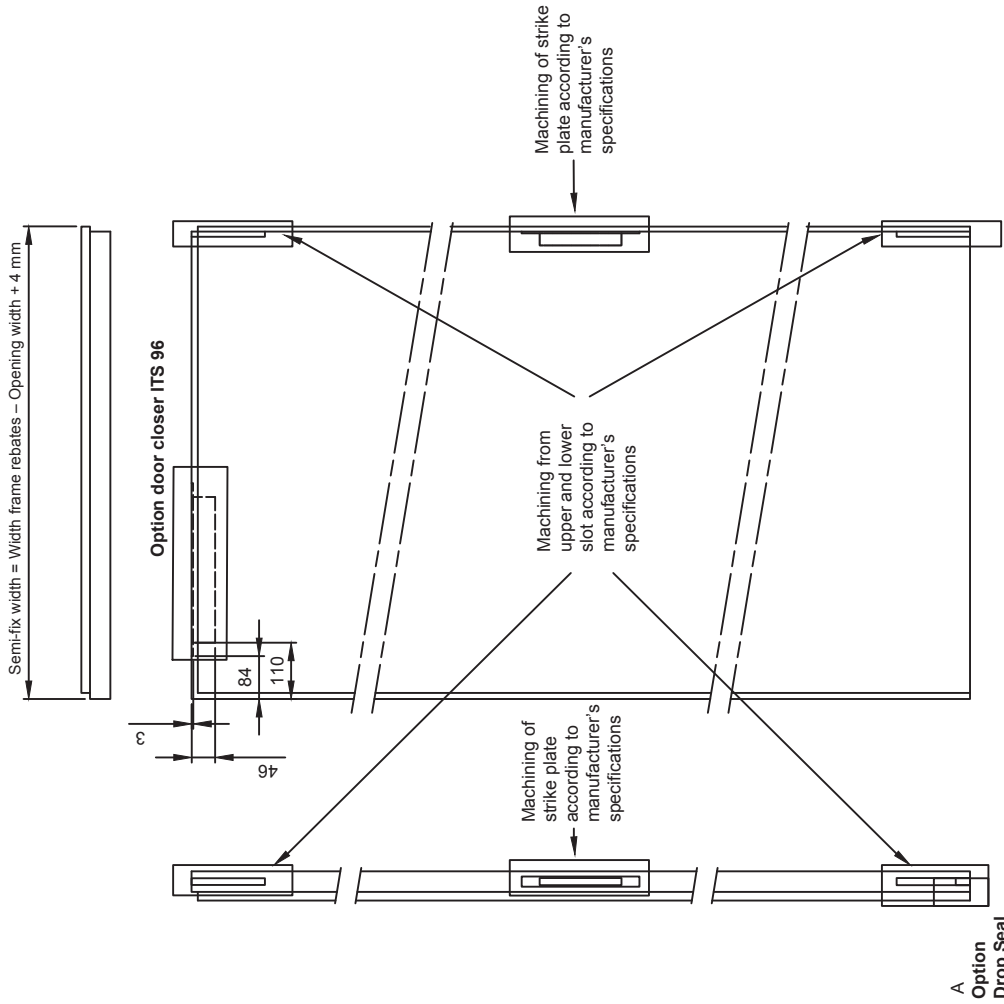
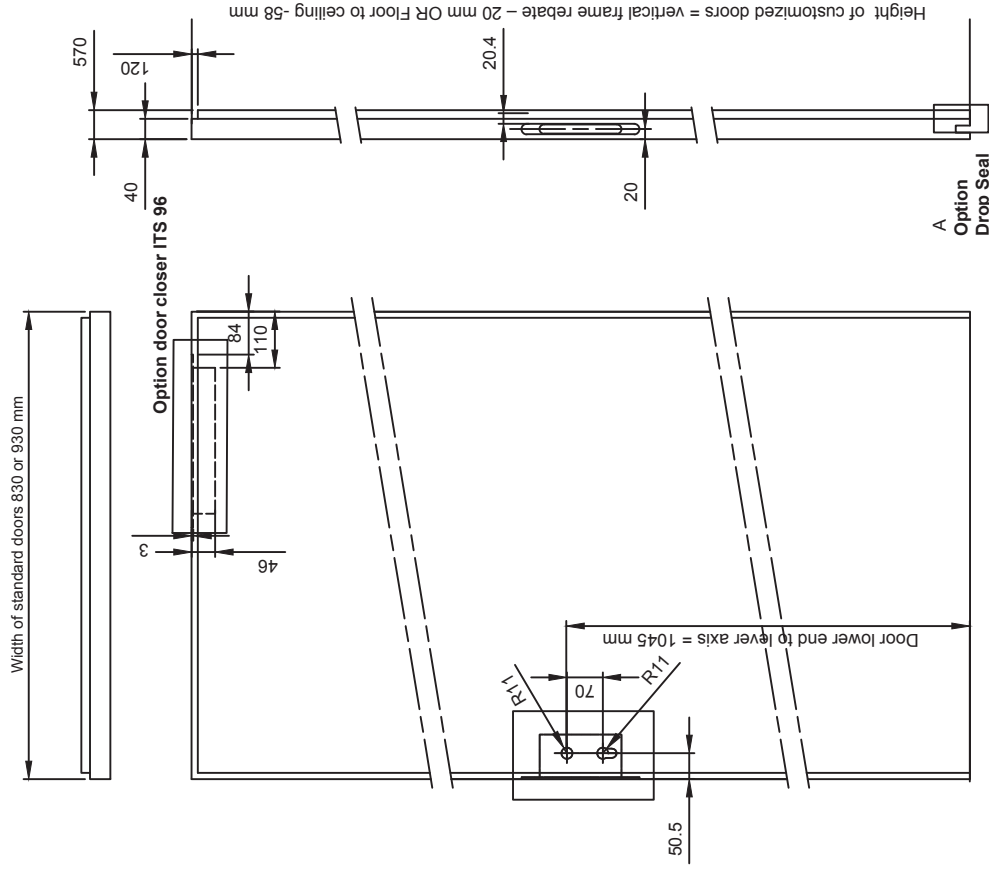


Wooden door 2 Leaf -57 mm thickness

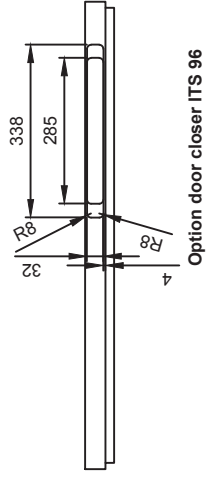
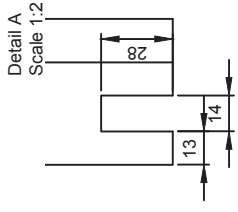
For machining of standard wooden doors



A
Option
Drop Seal

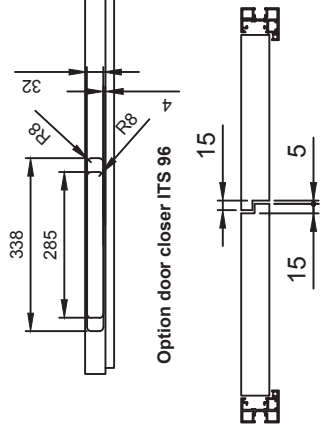


Detail A
Scale 1:2



Option door closer ITS 96

Semi-fix width = Width frame rebates - Opening width + 4 mm



Option door closer ITS 96