

ÉLANCE glass door 12 mm full height 2 Leaf between free bay or free glazing

Company		Branch	Construction site
Name	Signature	Partition N°	Door N°

Door Width = (in between studs - 14 mm) / 2. Door Height = Passage height - 15 mm OR Floor to ceiling - 66 mm

Measurements of passage dimensions between studs or free glazings.

Width of the Leaf

- 2 x 830 mm.
- 2 x 930 mm.
- Customized.

Width between free bay or free glazing = mm

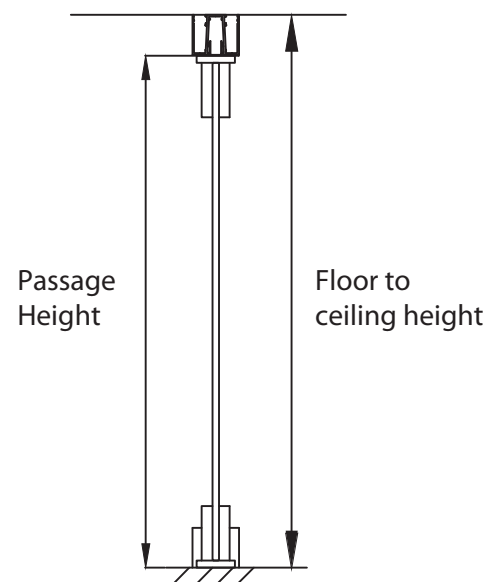
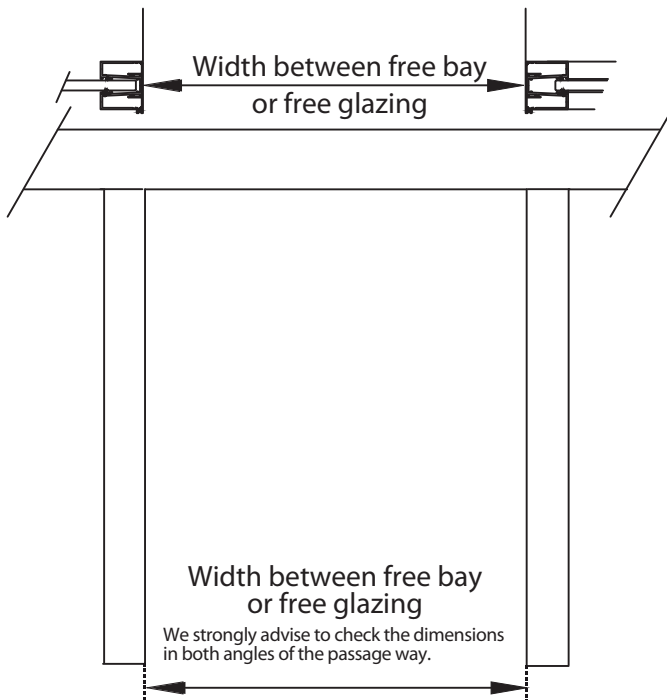
Passage Height

= mm

OR

Floor to ceiling Height

= mm



We strongly advise to check the dimensions in both angles of the studs

Choice of technical options

Saloon type swinging door on swivel
B-TWIST and pull bar.

Machining sheet n° UKV12O1VTW