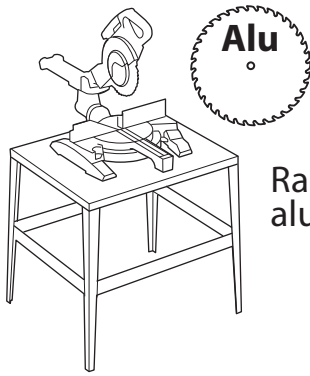
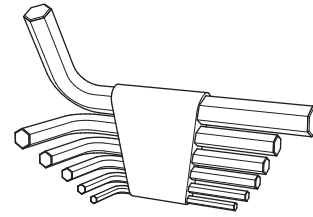


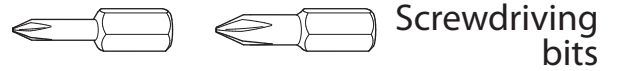
# Generalities - Tools



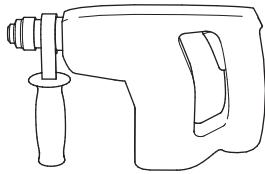
Radial saw with aluminum blade



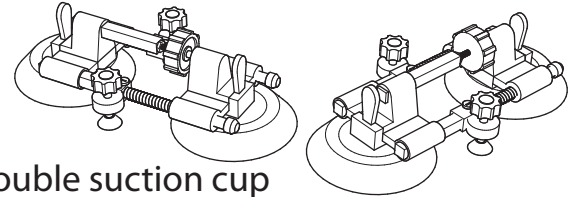
Allen key



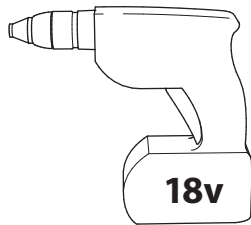
Screwdriving bits



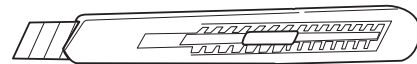
Pneumatic perforator



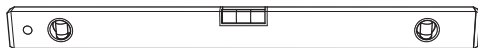
Double suction cup with screw mechanism



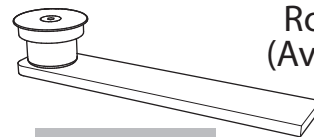
Cordless drill



Cutter

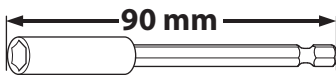


Level



Rope gasket wheel  
(Available in Clipper catalog)

Réf : 1-961

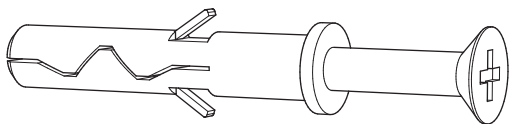


Bit holder  
90 mm



Drilling bit

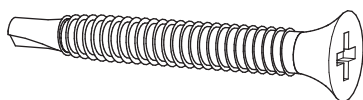
# Generalities - screws



Nylon hammer fixing anchor  
Ø 6 x 40

Ref : A-103

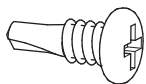
(Available in Clipper catalog)



Self drilling Bugle head screw  
Ø 3.5 x 25

Ref : A-104

(Available in Clipper catalog)



Pan head self drilling screw  
Ø 3.5 x 9

Ref : A-101

Pan head self drilling screw  
Ø 3.5 x 19

Ref : A-100

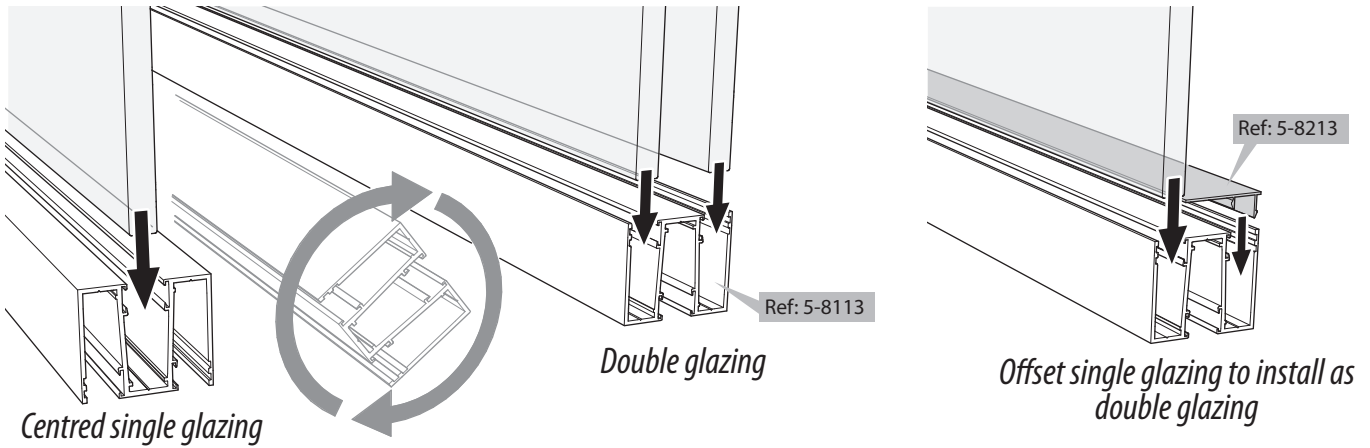
Pan head self drilling screw  
Ø 4.2 x 35

Ref : A-118

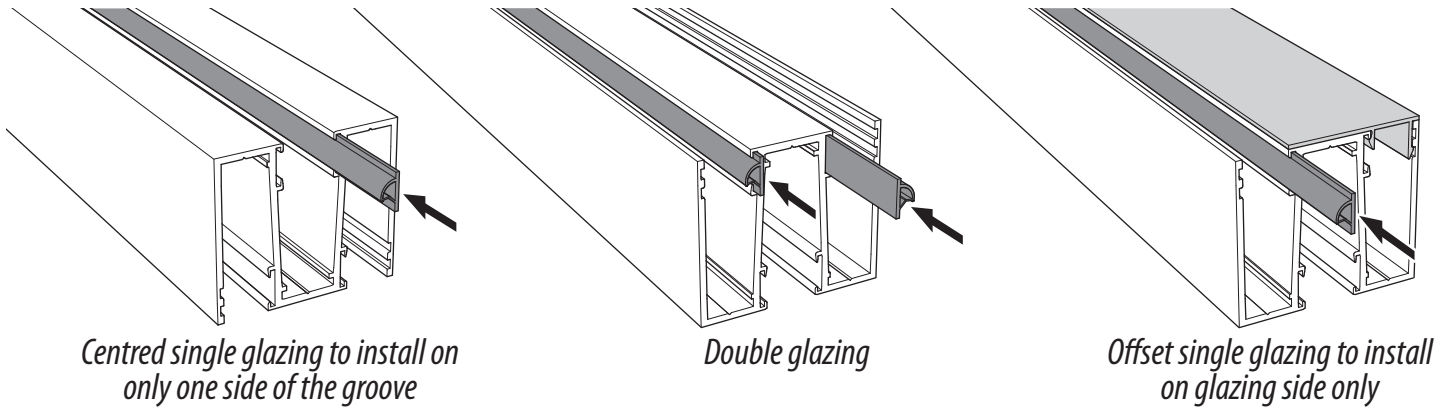
(Available in Clipper catalog)

# Generalities – Channels

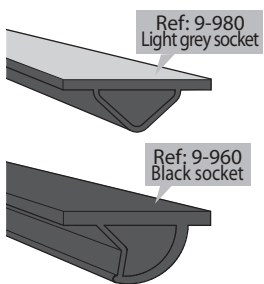
## Choice of channel direction



## Glazing gasket installation



## Gasket selection on channels and door frame profiles

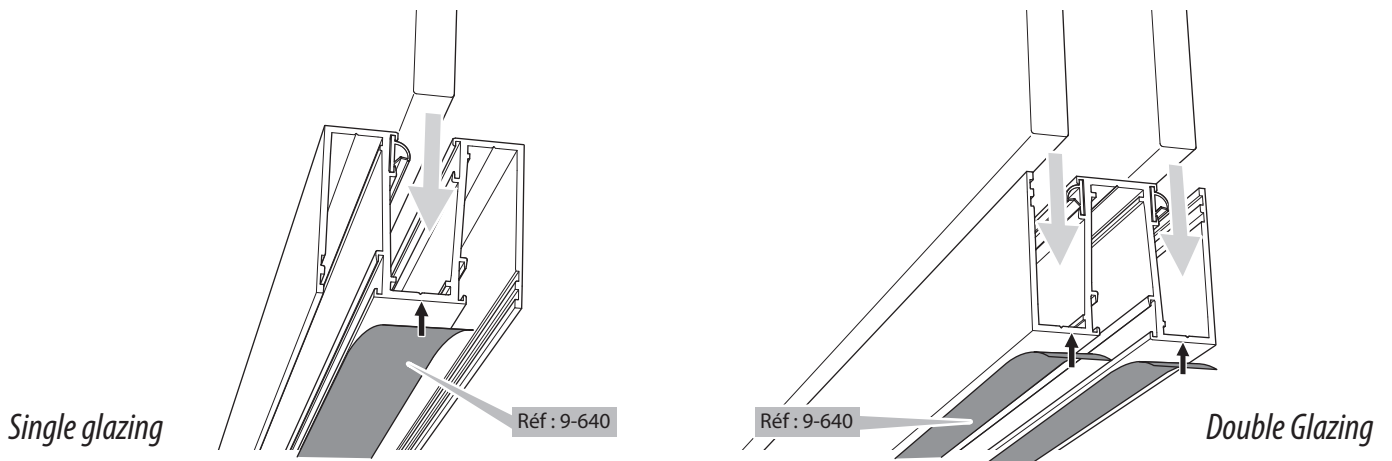


Glass thickness	Centred single glazing Channel - Door frame	Double glazing and offset single glazing Channel - Door frame
	10 mm	Glazing gasket: Ref 9-960
12 mm	Glazing gasket: Ref 9-980	Glazing gasket: Ref 9-980
15 mm	Glazing gasket: Ref 9-980	

## Installation direction of the gasket

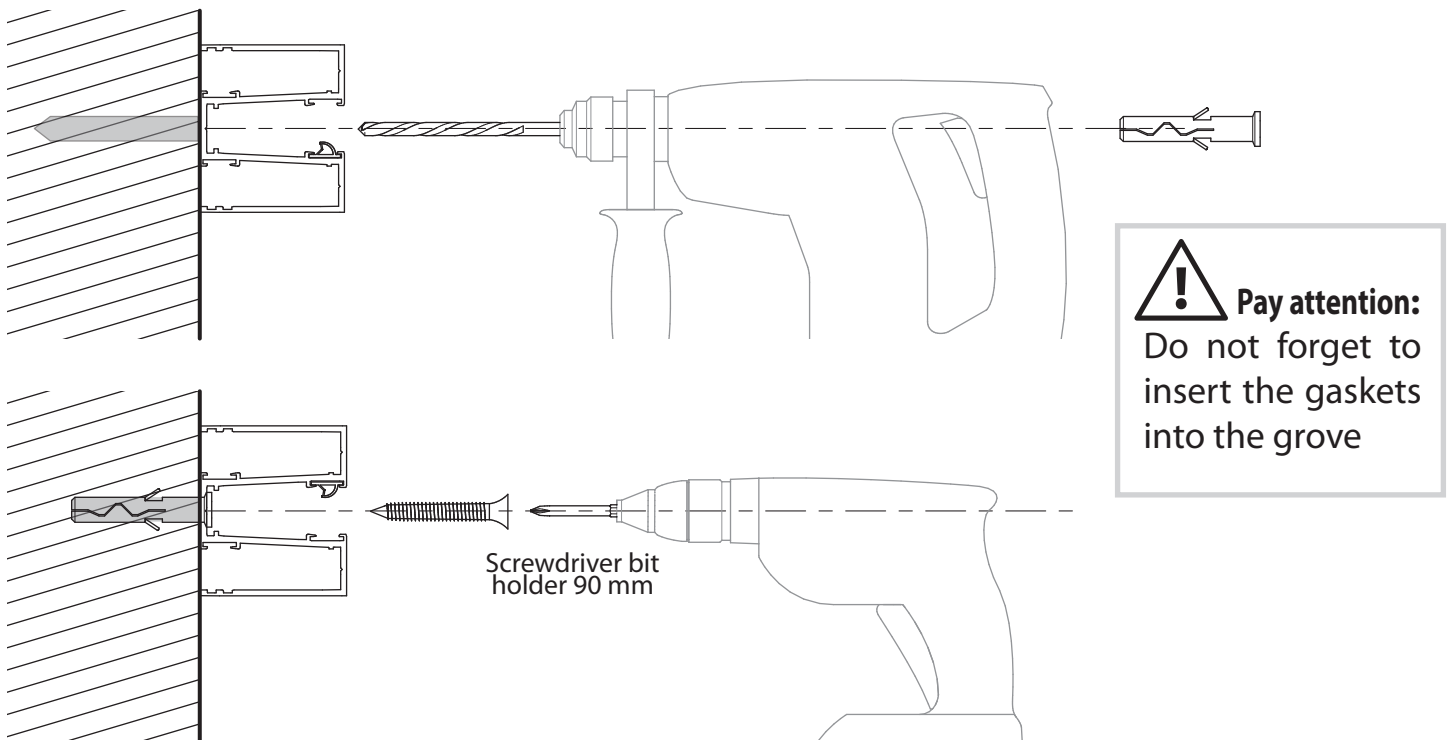


## Installation of the channel acoustic foam on the peripheral profiles

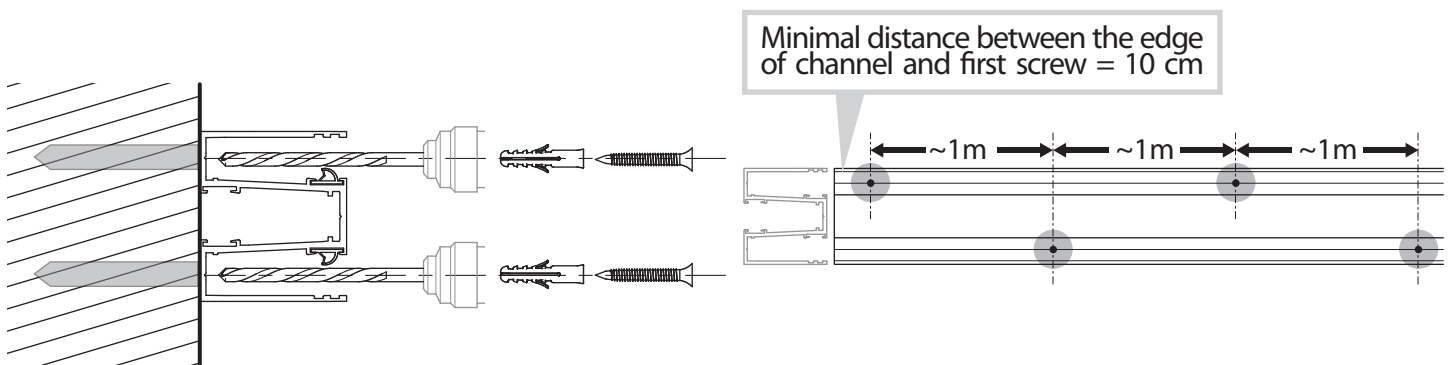


## Generalities – Fixing at construction

### Peripheral fixing, wall, floor, ceiling in single glazing

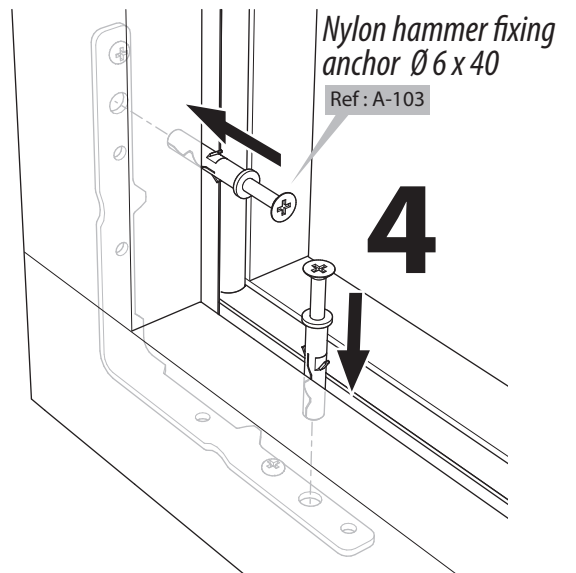
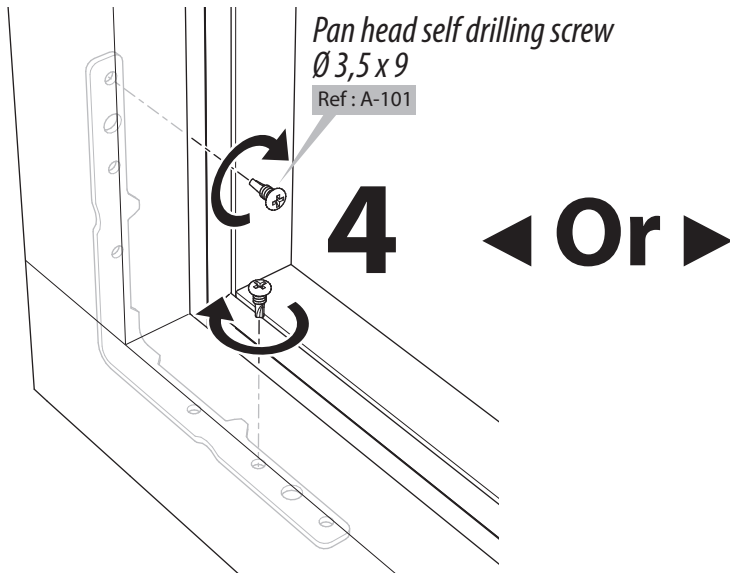
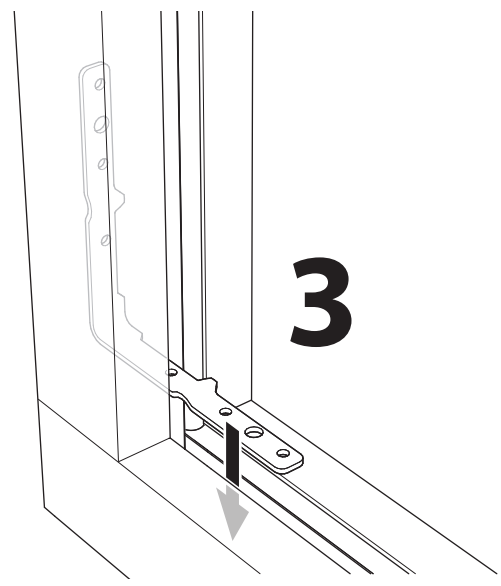
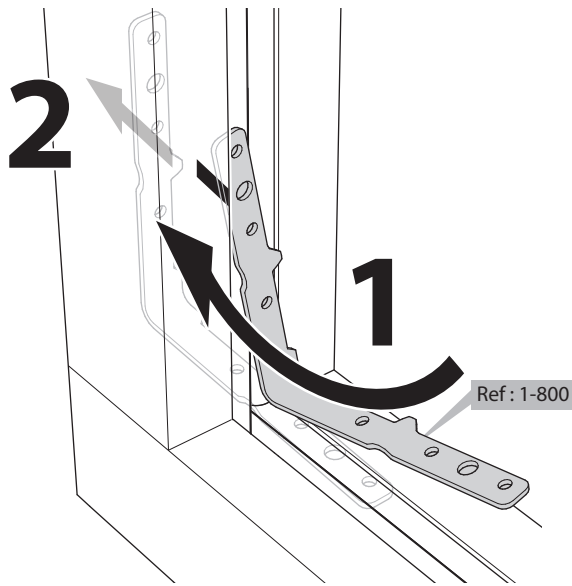


### Peripheral fixing, wall, floor, ceiling for double glazing



# Generalities – Brackets

## Brackets installation



## Channel installed for double glazing

