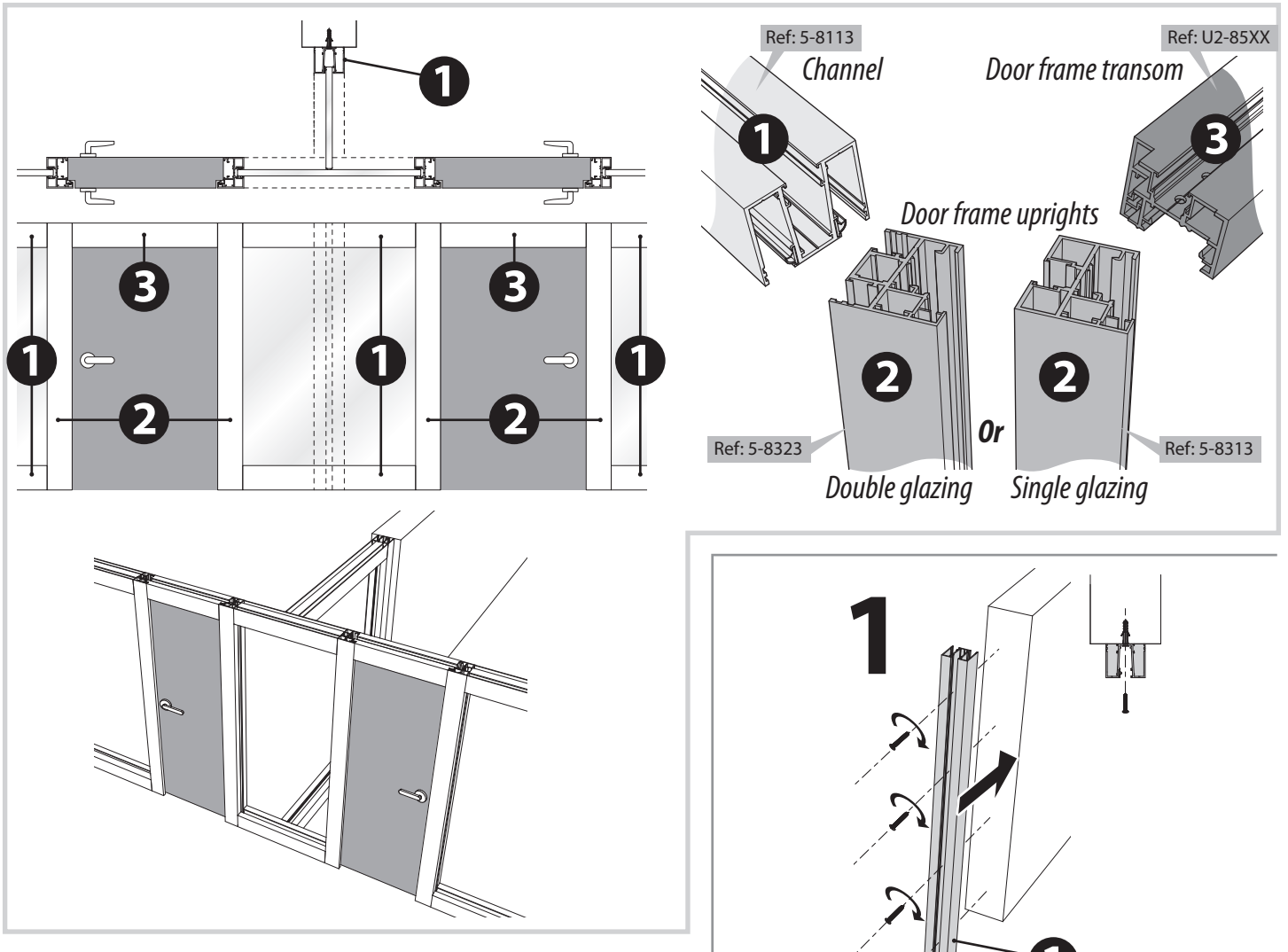
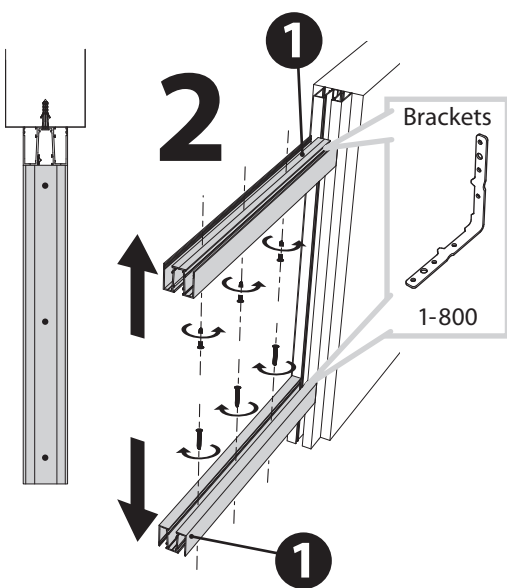


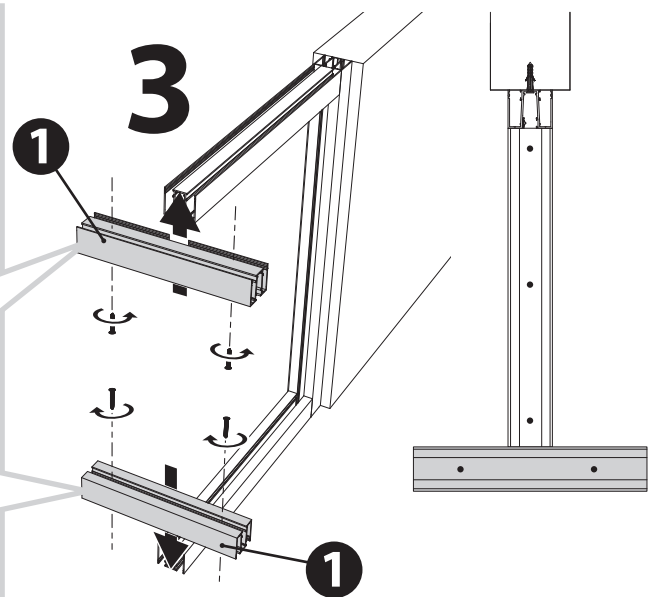
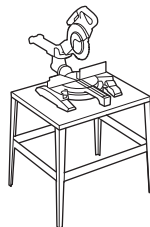
Specific case – Three way glazed mullion - Frame installation



1 channel installation

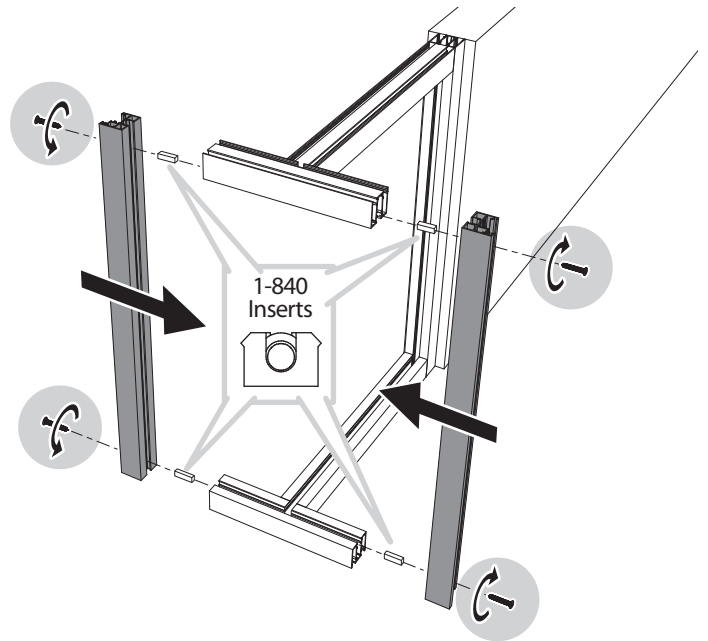
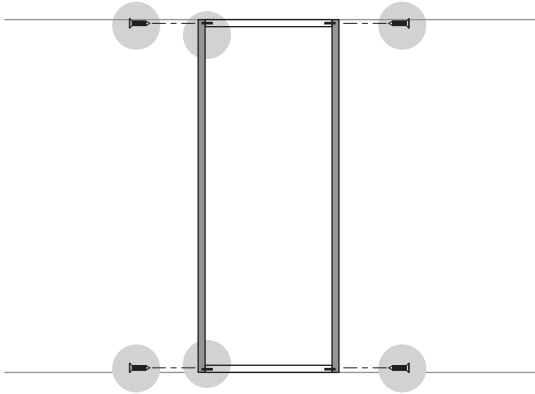


Notch those channels (see details Page 21)



Specific case – Installation of the door frames on three way mullion

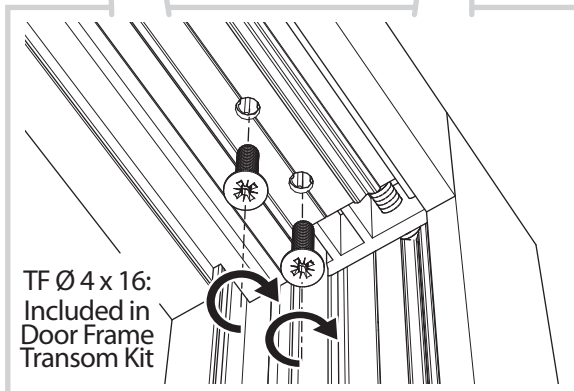
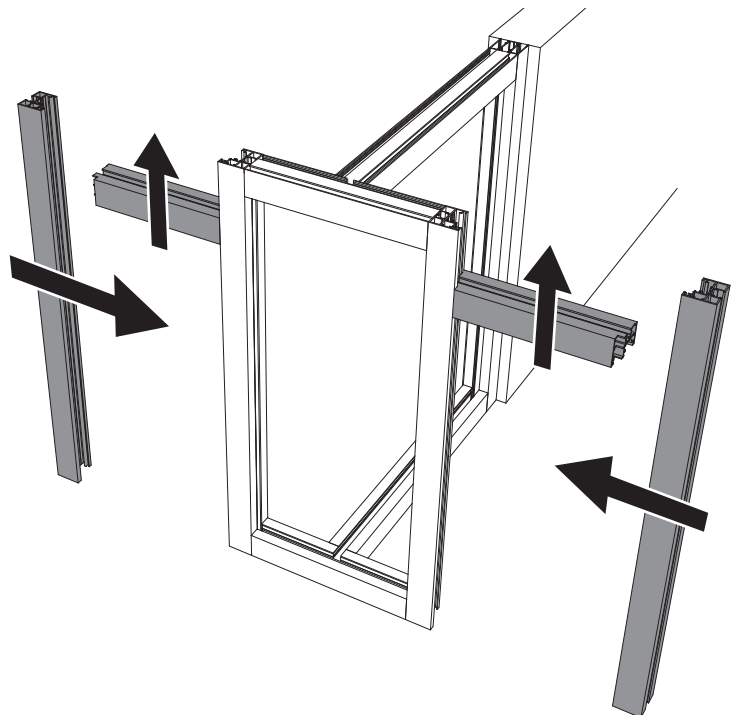
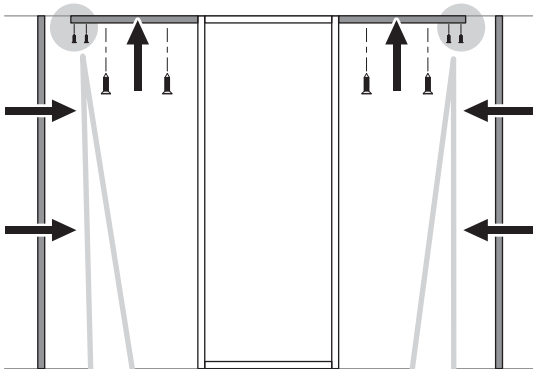
2 Door frame



Installation of the inserts, go back to page **29**

FOR THE SLIDING DOOR MOUNTING, GO BACK TO PAGE **17**

3 Continuation

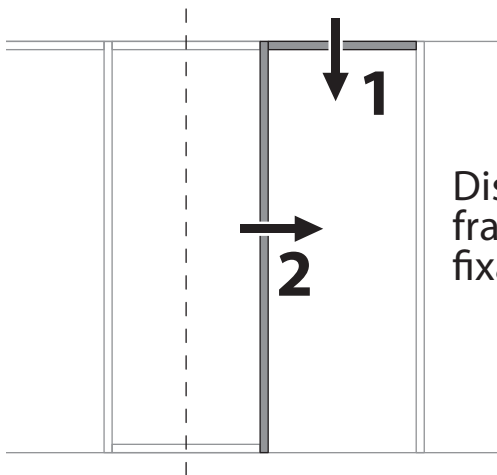


Door Frame Transom Kit

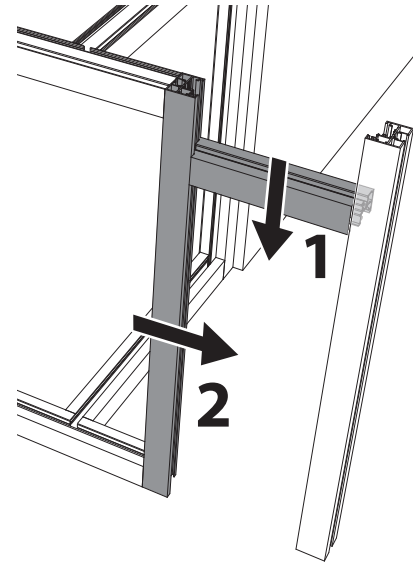
Width	Reference
830	2-8518
930	2-8519

Specific case - Three way glazed mullion glasses installation

1 Door frame dismantling

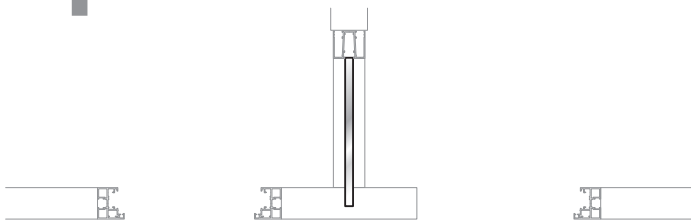


Dismount the door frame at the insert fixation side

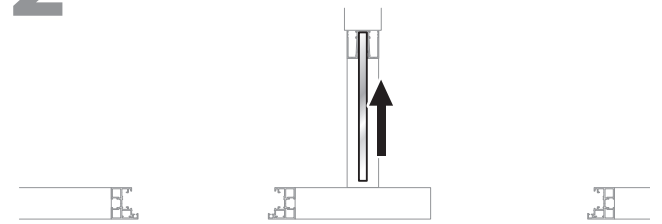


2 Glazing installation and closing of the mullion

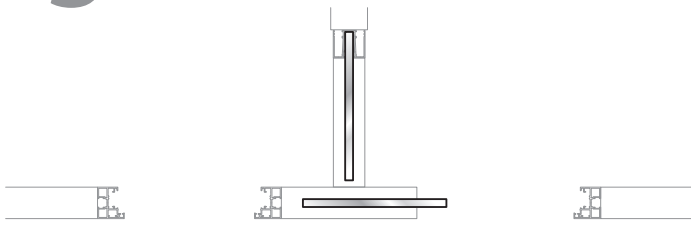
1 Mullion glass installation



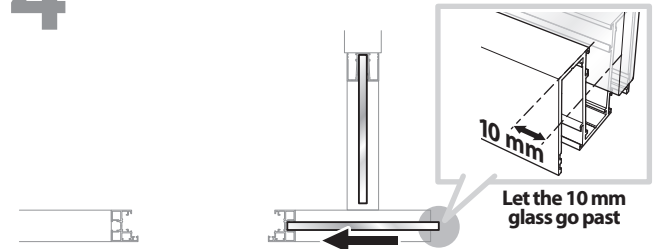
2 Push it to the bottom of the channel



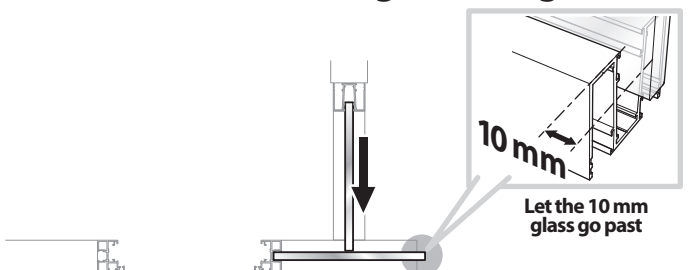
3 Installation of the circulation glass



4 Push it to the bottom of the door frame



5 Push the mullion glass against the circulation glass and glue



6 Reassembly of the door frame

