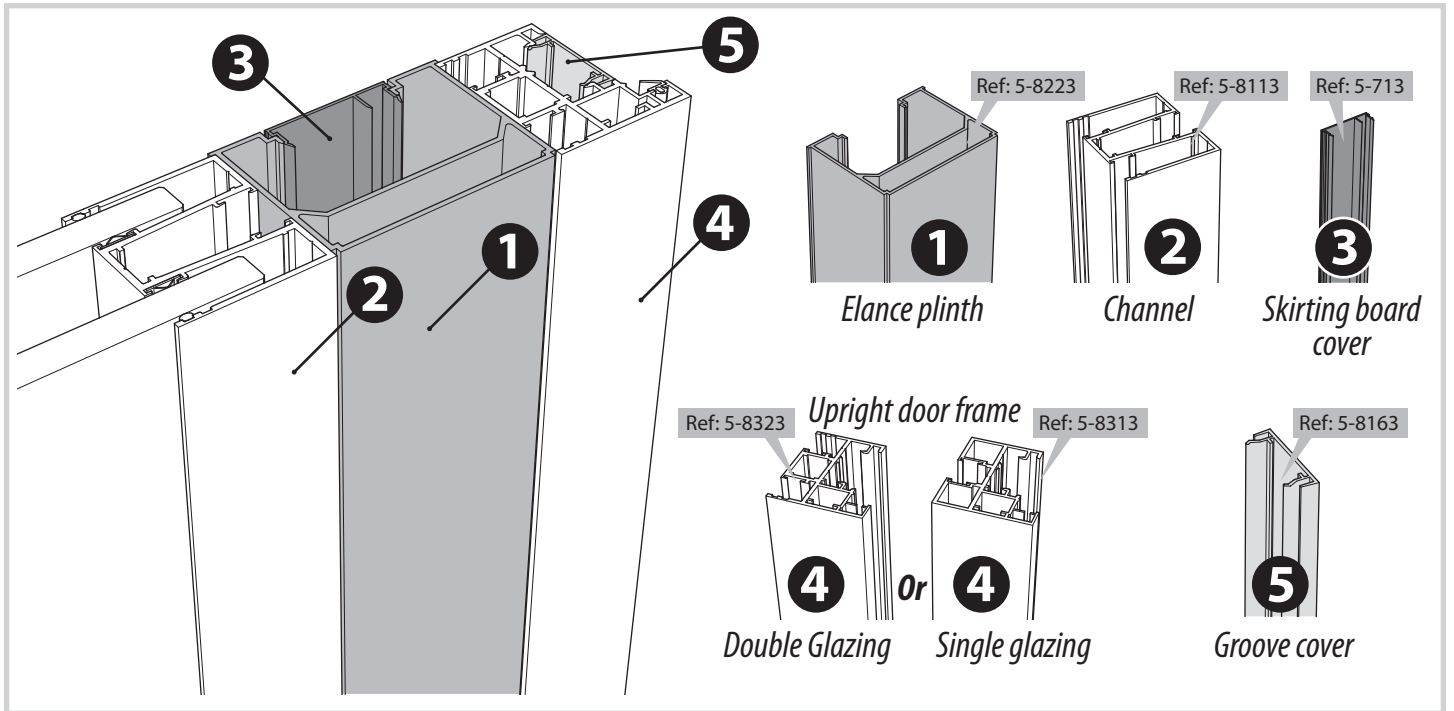
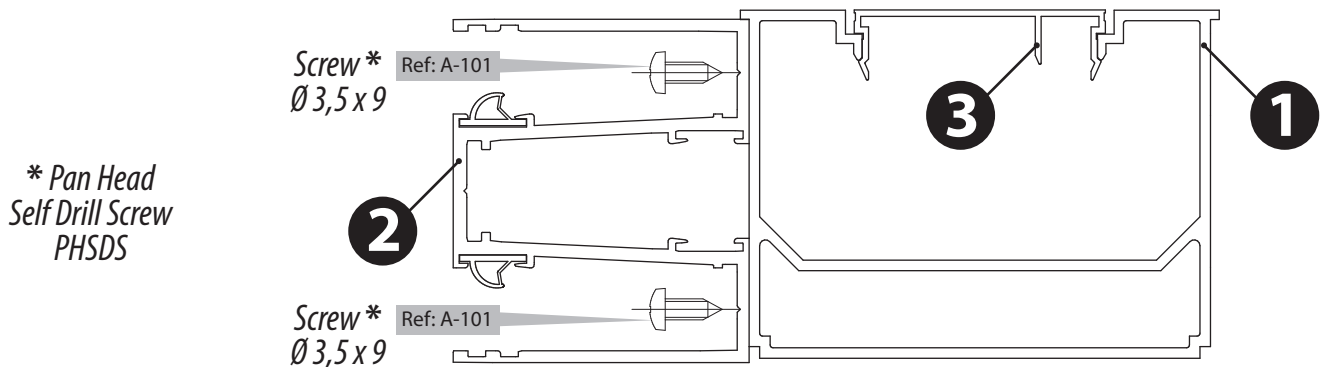


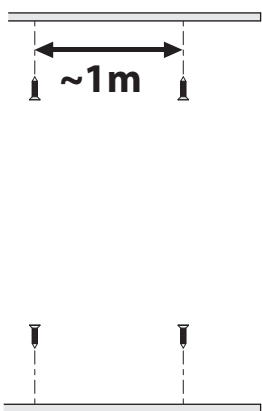
# SPECIFIC CASE – Door frame with vertical electric plinth



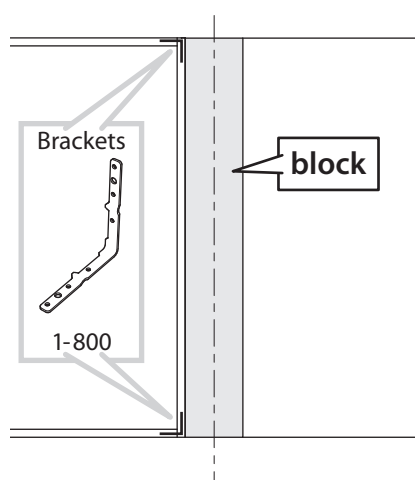
## Assemble a block



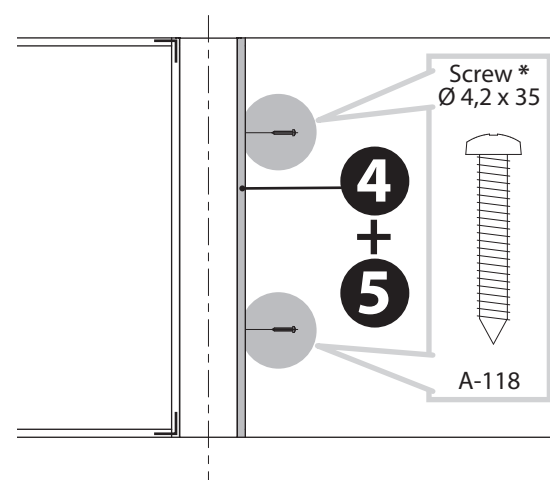
## Assembly chronology



Installation of horizontal channels



Installation of the block assembled beforehand  
Channels junction with brackets.



Installation of the door frame uprights  
Follow up on the door framing assembly.